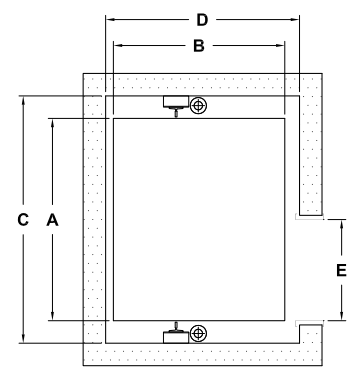
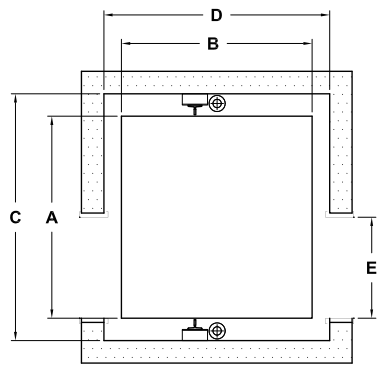
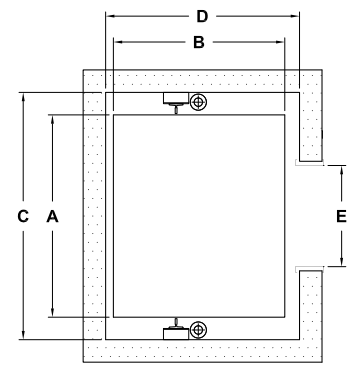
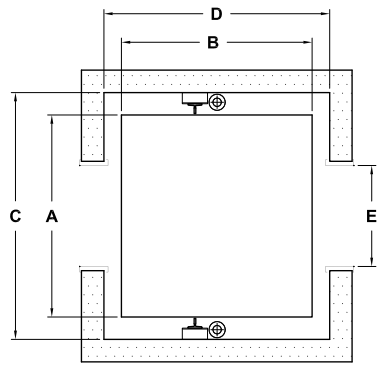
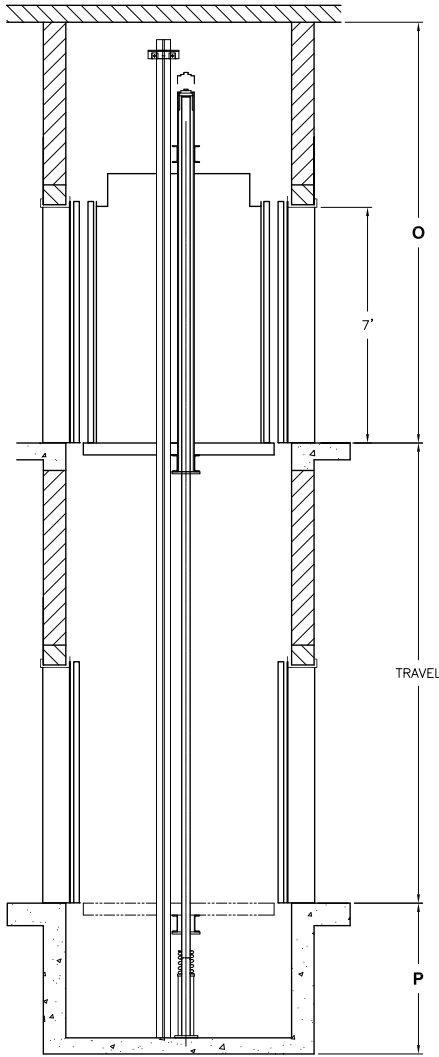


GROUP ONE DUAL HOLELESS SINGLE STAGE & 2 STAGE TELESCOPIC



A = PLATFORM WIDTH **C = HOISTWAY WIDTH** **E = CLEAR DOOR OPENING** **P = PIT DEPTH**
B = PLATFORM DEPTH **D = PLATFORM DEPTH** **O = OVERHEAD**

EECO's Dual Holeless Group One elevator features dual single-stage, two-stage telescopic, or three stage telescopic jacks to meet your projects requirements.

As always, EECO only uses the highest quality, industry standard parts for reliability and easy availability.

This holeless design eliminates the cost of drilling.

Capacity (lbs)	Platform A x B	Hoistway C x D	Front/Rear	Clear Inside W x D	Door Type	Door Width E
2100	6' -0" x 5' -1"	7' -4" x 5' -9"	F	5' -8" x 4' -3"	1-SP	3' -0"
2100	6' -0" x 5' -8"	7' -4" x 6' -8 1/2"	F/R	5' -8" x 4' -4"	1-SP	3' -0"
2500	7' -0" x 5' -1"	8' -4" x 5' -9"	F	6' -8" x 4' -3"	1-SP	3' -6"
2500	7' -0" x 5' -8"	8' -4" x 6' -8 1/2"	F/R	6' -8" x 4' -4"	1-SP	3' -6"
3000	7' -0" x 5' -6"	8' -4" x 6' -2"	F	6' -8" x 4' -8"	1-SP	3' -6"
3000	7' -0" x 6' -1"	8' -4" x 7' -1 1/2"	F/R	6' -8" x 4' -9"	1-SP	3' -6"
3500	7' -0" x 6' -2"	8' -4" x 6' -10"	F	6' -8" x 5' -4"	1-SP	3' -6"
3500	7' -0" x 6' -9"	8' -4" x 7' -9 1/2"	F/R	6' -8" x 5' -5"	1-SP	3' -6"
4500H	6' -0" x 9' -2"	7' -6" x 10' -0"	F	5' -8" x 8' -2 1/2"	2-SP	4' -0"

Verify all dimensions with EECO prior to construction. Consult EECO Engineering for required overhead and pit depth dimensions.